

# Artificial Rice Making Machine

Nutritious rice production line of Shandong Loyal Industrial Co.,Ltd, is another innovative application of twin screw extrusion technology. The production technology uses rice flour, corn flour, etc. as the main raw materials.



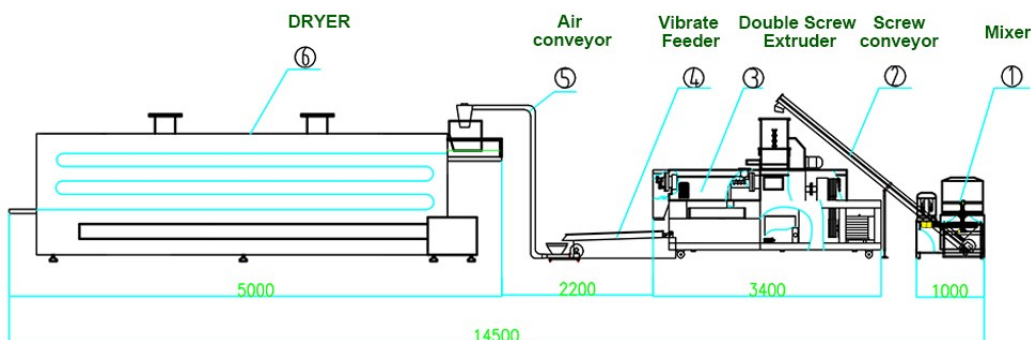
## 1. Production line description:

Nutritious rice production line of Shandong Loyal Industrial Co.,Ltd, is another innovative application of twin screw extrusion technology. The production technology uses rice flour, corn flour, etc. as the main raw materials. At the same time, various nutrients necessary for human health, such as vitamins, minerals and dietary fibers, can be added in proportion, and granulated by a twin-screw extruder. Nutritionally fortified rice. This processing technology not only retains the original ingredients of ordinary rice, but also supplements and strengthens the nutrients necessary for human health due to the loss of refined rice processing; it can also produce coarse grains to produce multi-grain rice.



## 2. Production line composition:

Powder mixing machine ? Screw conveyor ? Main machine ? Vibration cooler ? Air conveyor ?  
Cooling spreader ? Five-layer penetrating oven



## 3. Main features: pictures

1. Centralized control by touch screen, accurate and convenient
2. The motor and the distribution box are directly connected for transmission, with less energy loss
3. Imported bearing set is adopted, with strong carrying capacity
4. The barrel is equipped with a water injection device to better meet the requirements of raw materials and quality
5. High-speed tool steel screw, hardness HRC?62, long service life
6. ??Building block type combined screw can be combined freely according to different raw materials and products
7. Linear bearing adjustment is safe, accurate and fast



#### 4. Features of low temperature dryer:

1. Fully insulated box, hot circulating air, high thermal efficiency, low energy consumption
- 2, double pitch roller chain transmission, smooth transmission, no jamming
- 3, single-layer, three-layer, five-layer, and seven-layer ovens are available
- 4, extended type, reciprocating type and other structures for your choice
5. Various heating methods: electricity, steam, oil/gas, biomass burner