

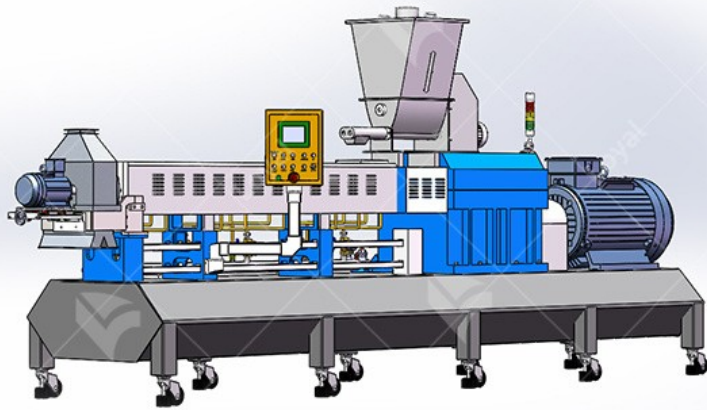
Fortified Rice/Artificial Rice Process Line

The fortified rice/artificial rice process line is studied in concern with the loss of nutritional elements in the rice which is made by the traditional rice processing. Rice and its by-products can be produced into high nutritional foods by adding additional nutrient components before extrusion cooking. Further, by this process, the broken rice and rice bran can be re-used. Process for making artificial rice grains, comprises mixing rice flour, water, oil and vitamin cooking them in extruder, forming into rice-grain shape, drying and cooling in low temperature. The technique makes it feasible to avoid the loss of nutrition.



Fortified Rice/Artificial Rice Process Line Flow Chart:

1.Raw Material --- 2.Crushing-Ingredients --- 3.Mixing --- 4.Extrusion --- 5.Pre-Drying --- 6.Drying --- 7.Cooling --- 8.Packing



Fortified Rice/Artificial Rice Process Line Parameter:

Model	Capacity(kg/h)	Installed Capacity(kw?)	Actual Consumption?kw?	Speed Control Mode	Dimension?m?
LY3000	80-100kg/h	55.35kw	41.51kw	Inverter	24*4*3
LY70L-I	150kg/h	63.54kw	47.66 Kw	Inverter	24*4*3
LY70L—?	300kg/h	103kw	77.25 Kw	Inverter	24*6*3
LY70L—?	450kg/h	172.64kw	129.48 Kw	Inverter	2.7*0.9*3
LY70L—?	500kg/h	215.16kw	161.37 Kw	Inverter	20*12*3
LY70L—V	600kg/h	268kw	201 kw	Inverter	20*12*3
LY80-I	300kg/h	101.6kw	76.2 kw	Inverter	35*4*3

LY80-?	600kg/h	98kw	73.5 kw	Inverter	35*7*3
LY80-?	900kg/h	356kw	267 kw	Inverter	35*12*3
LY75	500kg/h	132kw	99 kw	Inverter	50*4*6
LY95	700kg/h	205kw	153.75 kw	Inverter	59*8*6

What's The Role Of The Nutrition Fortification?

Nutrition fortification: It is the process of adding one or more nutrients or certain natural food ingredients to food according to the nutritional needs of different groups of people, or in order to make up for the innate deficiency of a certain type of food, to improve the nutritional value of food.

The Role Of Nutritional Fortification

1. Make up for the nutritional deficiencies of natural foods: Lysine deficiency and vitamin insufficiency in cereals.
2. Loss of nutrients during processing and storage of supplementary food.
3. Meet the nutritional needs of special populations.
4. Simplify meal handling and convenient food intake.
5. Prevention of malnutrition: Regional prevention.
6. Other functions: Improve sensory quality and improve storage performance.

What's The Application Of The Nutritional Fortification?

The fortified rice/artificial rice production technology not only can retain the original shape of ordinary rice, but also add various vitamins and minerals in proportion, to produce various nutrient-fortified rice after drying: after drying microwave treatment, it can be processed into instant self-heating rice, it can be used after 10 minutes of steaming the heating pack. Changing the formula can also produce boiling water self-heating rice, instant porridge and other products.

Production products: self-heating rice, instant rice, nutritious rice, instant rice, etc.

