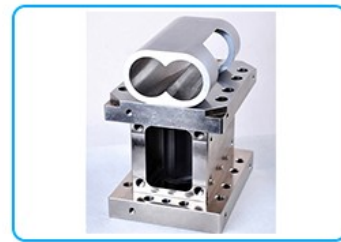


How Does The Small Twist Snacks Production Line Work?

However, as the market continues to expand, labor costs continue to increase. And people's taste changes, puffed snack foods have become popular in the market and occupy a major position. The twist has gradually changed from handmade to automatic puffing snack machine production. Twist snack was born from this.

Twist snack has always been handmade and is famous for Tianjin twist. Because its taste and quality are well-known in the market. It has become a major feature of Tianjin.

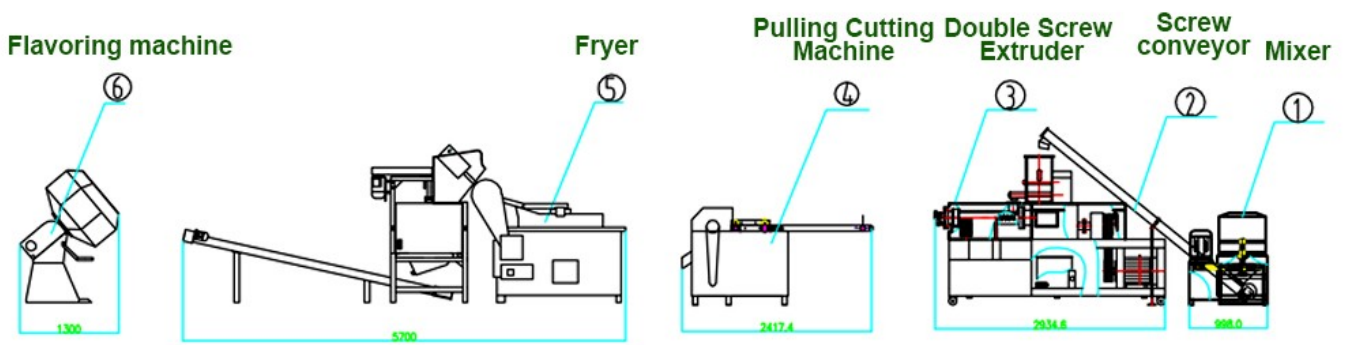


However, as the market continues to expand, labor costs continue to increase. And people's taste changes, puffed snack foods have become popular in the market and occupy a major position. The twist has gradually changed from handmade to automatic puffing snack machine production. Twist snack was born from this.



Our company has made a new development project corresponding to the market. The industrial snack food processing equipment puffing small twist machine production line, using flour as the main raw material. After deep extrusion by a twin-screw extruder. And then through high-temperature frying production equipment. After being cooled and sprinkled with seasonings, the small twists snacks are delicious and delicious. The finished product is packed with puffed small twists. The whole process is a fully automatic production line.

The products produced by this full automatic twist snacks making production line are crisp and delicious, oily but not greasy and bright in color. It is suitable for market trends. The production machinery and equipment are twin-screw extrusion equipment, made of high-strength, high-wear-resistant special alloys.



This industrial puffing snack making production line is suitable for the extrusion and puffing process of twin-screw extruder. The original production process is changed to make it more convenient, simpler, more convenient to operate, and has a crisper taste. It is cut into different shapes by a special mechanism and passed through deep frying to make it puffed. After being fried, it is seasoned and dried to make a delicious snack food. The twist snack making production line equipment is reasonably designed and easy to operate. The product is beautiful in appearance, high-end taste, can be fried, non-fried, crispy in the mouth, crispy taste, rich in nutrition, is a new type of pasta machinery for manufacturers to reduce costs and earn more profits.

