

What Are The Pet Feed Production Line Processes?

Pet dog feed is a feed specially provided for pet dogs. It is a high-end animal food between human food and traditional livestock and poultry feed. It mainly provides basic life assurance, growth and health nutrients for various pets.

Pet dog feed is a feed specially provided for pet dogs. It is a high-end animal food between human food and traditional livestock and poultry feed. It mainly provides basic life assurance, growth and health nutrients for various pets. It has the advantages of comprehensive nutrition, high digestion and absorption rate, scientific formula, quality standard, convenient feeding and use, and the prevention of certain diseases. After our country's pet market gradually integrates with the pet market, as a necessity for keeping pets, the pet feed industry has also ushered in rapid development. Especially with the increasing importance of breeders on pets, the prosperity of the pet feed industry has become a general trend.



The automatic pet dog food production line is widely used in the production of dog, cat, fish, shrimp, fox, bird and various pet feeds. It is an ideal choice for pet food manufacturers. Because 20-40% of animal offal, chicken racks and other ground bone mud and meat mud can be added to the formula, the problem of processing from dehydration to crushing of fresh meat, fresh bone and slaughterhouse scraps is solved. The automatic pet dog food production line also solves the shortcomings of insufficient expansion of the small single-screw dog food machine, difficulty in cleaning the screw after each production, restricted addition of fresh meat and bone

paste, fast screw wear, and high cost of later accessories.

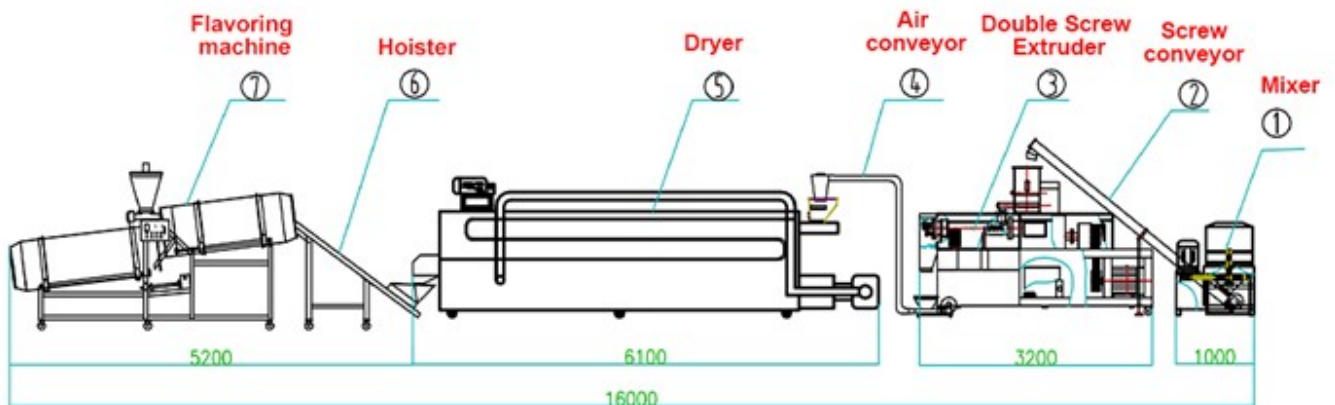


What are the shapes of pet food produced by the commercial dog cat pet food processing line?



1. Heart shape, bone shape, circle, triangle, small fish shape, square shape, etc.
2. The shape and size of pet feed can be adjusted by changing molds and adjusting the degree of expansion.

Process composition of full automatic pet food production line:



1. Flour mixing machine: Add a certain proportion of water to the raw materials such as corn

flour, rice flour, soybean flour, meat flour, cereal flour, additives, etc., and mix well.

2. Feeding machine: The motor is used for screw conveying, and the mixed raw materials are conveyed to the feeding hopper of the extruder to ensure convenient and fast feeding.

3. Twin-screw extruder: Under the conditions of high temperature and high pressure environment and screw extrusion, the die can be changed by adjusting the different feeds of the production department by adjusting the process. The specific particle size and shape can be changed.



4. Conveyor: convey the feed to the oven,

5. Multi-layer oven: The oven is mostly an electric oven, the temperature is adjusted between 0-200 degrees through the control cabinet, the inside is a stainless steel double-layer mesh bag, which reduces the moisture of the feed particles, promotes the maturation rate, and increases the shelf life.

7. Seasoning line: The oil sprayer sprays oil, phagostimulants, etc. The seasoning tube includes octagonal tube, cylinder, lifting single drum, double drum seasoning line, according to the output and product nature configuration, the grease is sprayed on the surface of the feed, and at the same time Spray minced meat and spices evenly.



8. Cooling and conveying: reduce the temperature of frying and feed, promote the solidification of fat, reduce the temperature of particles, and facilitate packaging.

9. Vibrating sieve: sieve out the excess sprinkled materials and particles at the end of the year to ensure quality while ensuring the reuse of raw materials.

10. Packaging machine: manual sealing machine and automatic packaging machine can be used.